



Putra World Trade Centre



Menara Maybank



S.R.K. Sri Dhandayuthapani

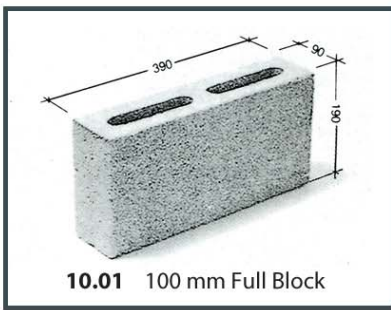


integrated

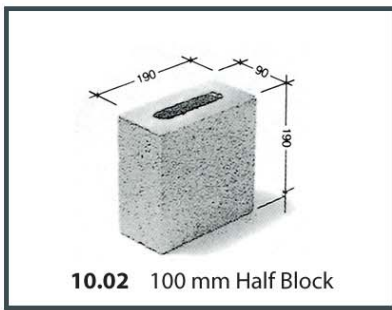
integrated brickworks sdn. bhd.

CONCRETE
MASONRY
UNITS

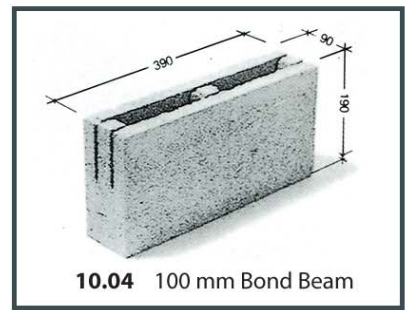




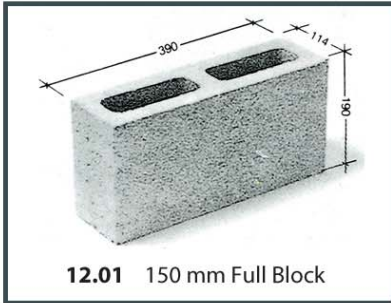
10.01 100 mm Full Block



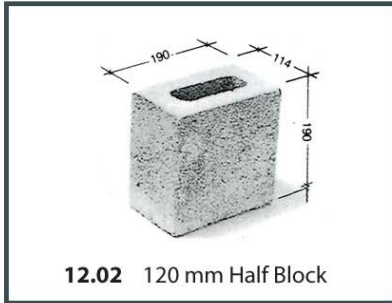
10.02 100 mm Half Block



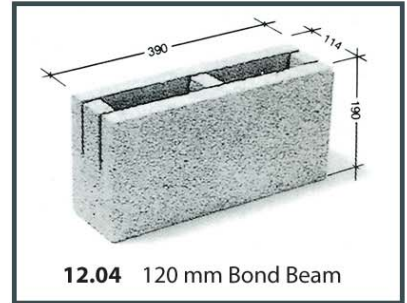
10.04 100 mm Bond Beam



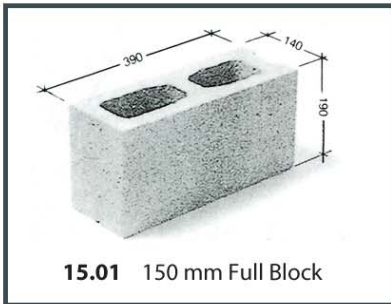
12.01 150 mm Full Block



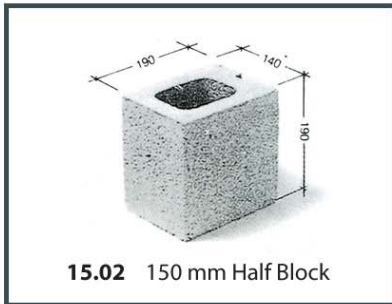
12.02 120 mm Half Block



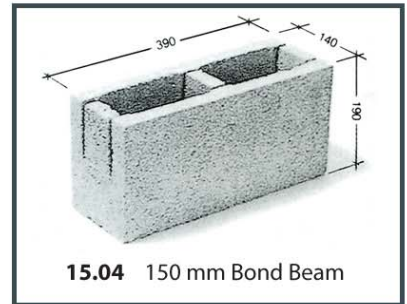
12.04 120 mm Bond Beam



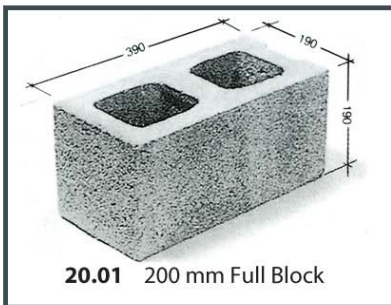
15.01 150 mm Full Block



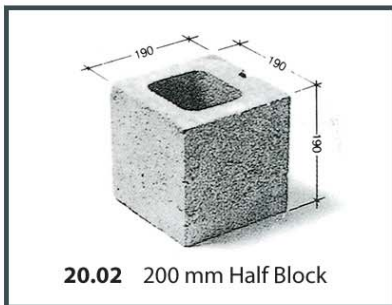
15.02 150 mm Half Block



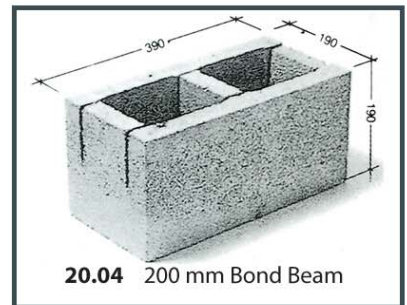
15.04 150 mm Bond Beam



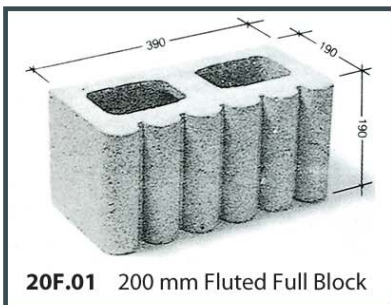
20.01 200 mm Full Block



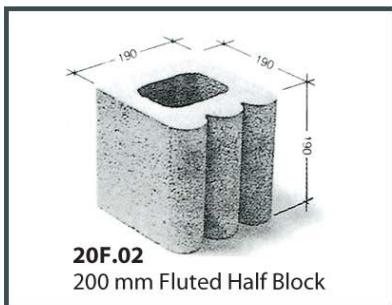
20.02 200 mm Half Block



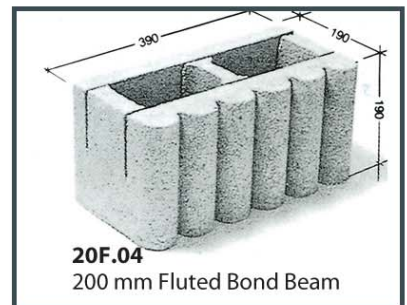
20.04 200 mm Bond Beam



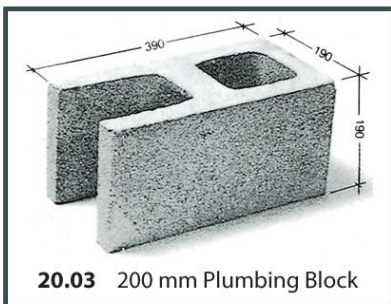
20F.01 200 mm Fluted Full Block



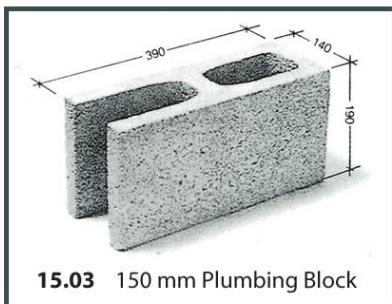
20F.02
200 mm Fluted Half Block



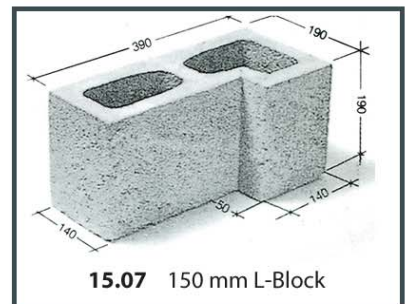
20F.04
200 mm Fluted Bond Beam



20.03 200 mm Plumbing Block



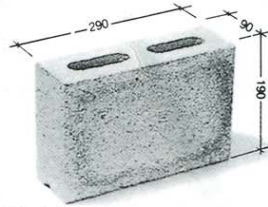
15.03 150 mm Plumbing Block



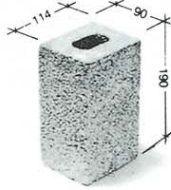
15.07 150 mm L-Block



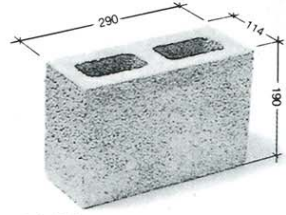
10.05 100 mm Quarter Block



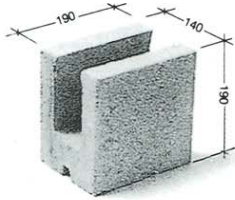
10.06 100 mm Three Quarter Block



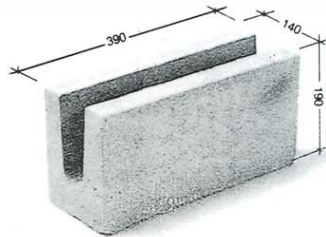
12.05 120 mm Quarter Block



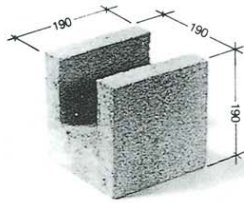
12.06 120 mm Three Quarter Block



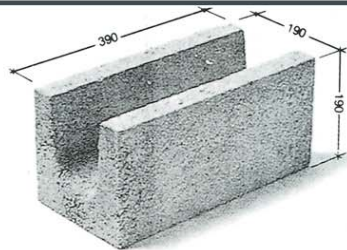
15.12 150 mm Lintel Half Block



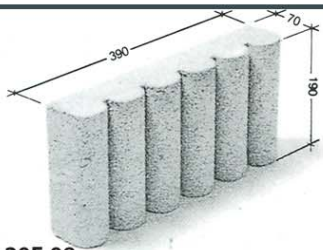
15.14 150 mm Lintel Bond beam



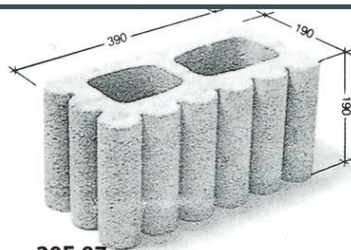
20.12 200 mm Lintel Half Block



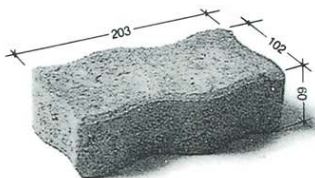
20.14 200 mm Lintel Bond Beam



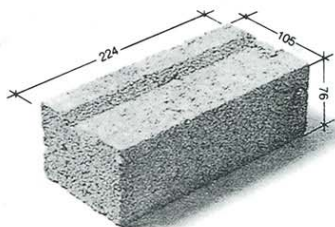
20F.08 200 mm Fluted Veneer Block



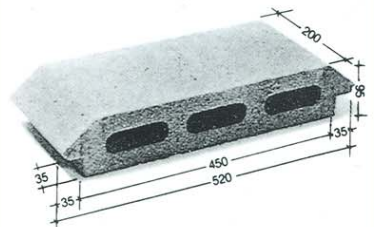
20F.07 200 mm Fluted Corner Block



60 mm Paving Stone



80 mm Solid Brick



100 mm Soffit Block

technical data

Manufacturing Specifications.

Integrated Concrete Masonry Units are manufactured in accordance with the requirements of Malaysian Standards MS27-1971 and British Standards BS 2028, 1364-1968.

Physical Properties

✓ Sizes

Specified manufacturing sizes of blocks allow for 10mm ($\frac{3}{8}$ in) mortar joints and satisfy the concept of a basic size, i.e. the basic space to be occupied by the block and its share of the joints, in accordance with BS 3626, "Recommendations for a System of Tolerances and Fits for Buildings".

✓ Cavities

The total width of cavity in any block, measured at right angles to the face of the blocks as laid in the wall, shall not exceed 65% of the block.

The volume of cavity in the block shall not exceed 50% of the gross volume of the block.

✓ Density

The gross density of type A blocks whether solid hollow or cellular, shall NOT be less than 1,500 kg/m³ (93.6 lb/ft³). The gross density of type B & C blocks, whether solid, hollow or cellular shall be less than 1,500 kg/m³ (93.6 lb/ft³).

✓ Dimensional Tolerances

No individual measurement of length, height or thickness shall exceed the tolerance of ± 3 mm from the specified dimensions.

✓ Drying Shrinkage

Maximum drying shrinkage of block shall not exceed 0.09%.

✓ Wetting Expansion

Maximum wetting expansion of block shall not exceed 0.11%.

✓ Compressive Strength

Average compressive strength based on nett area shall not be less than 1,000 psi, and the strength of the lowest individual block shall not be less than 80% of the average compressive strength. Higher strength blocks can be manufactured on prior special order.

Quality Assurance

The company's modern and well-equipped laboratory carries out rigid daily routine control tests on both raw materials and finished products to ensure that they comply with the requirements.



Integrated concrete masonry units are suitable for both residential, commercial and industrial developments. It is durable, attractive and economical. If you have queries about our products, we'll be glad to discuss with you in detail.

Shown in this brochure are some of the many projects which have used our quality products



Tadika Diyana



Chettiar's Temple at Jalan Ipoh



Pan Pacific Hotel

integrated

integrated brickworks sdn bhd (12282 X)

No 27, Jalan Tago 5, Tago Industrial Park kepong,
Bdr Sri Damansara, 52200 Kuala Lumpur, Malaysia.

Tel: 603 - 6272 4631 Fax: 603 - 6272 4681